

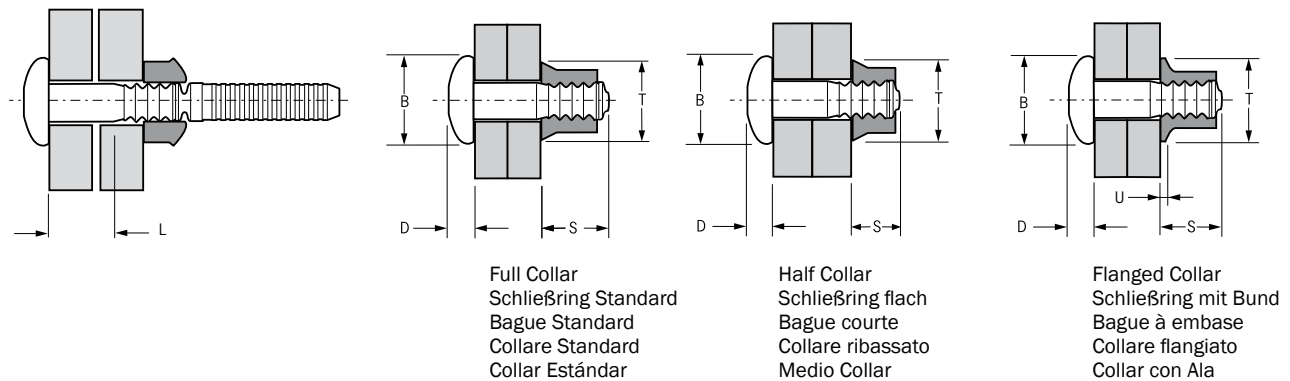
# Avdelok® 2611



For installation information please refer to the tooling overview and manuals on our website [www.avdel-global.com](http://www.avdel-global.com).  
 Pour les conditions de pose, merci de vous référer à la description de l'outil et aux manuels disponibles sur notre site Web.  
 Angaben zur Verarbeitung entnehmen Sie bitte der Geräteübersicht und den Betriebsanleitungen auf unserer Website.  
 Per informazioni sull'installazione preghiamo consultare i manuali e la panoramica degli attrezzi sul nostro sito web.  
 Para ver información sobre máquinas de colocación, consulte nuestra página web, apartados visión general de máquinas y manuales.

| English                    | Français                      | Deutsch                    | Italiano                     | Español                    |
|----------------------------|-------------------------------|----------------------------|------------------------------|----------------------------|
| Brazier head               | Tête plate                    | Flachrundkopf              | Testa tonda                  | Cabeza alomada             |
| Pin: Carbon boron steel*   | Tige: Acier*                  | Bolzen: Stahl*             | Bullone: Acciaio a carbonio* | Vástago: Acero al carbono* |
| Zinc plated                | Revêtement zingué             | Verzinkt                   | Zincato, Passivazione        | Zincado                    |
| Clear trivalent passivated | Passivation claire trivalente | Klar chromatiert, Cr6-frei | chiara trivalente            | Pasivado claro trivalente  |
| Collar: Low carbon steel** | Bague: Acier bas              | Schließring: Stahl**       | Collare: Acciaio a basso     | Collar: Acero bajo en      |
| Zinc plated                | carbone**                     | Verzinkt                   | tenore di carbonio**         | carbono**                  |
| Clear trivalent passivated | Revêtement zingué             | Klar chromatiert, Cr6-frei | Zincato, Passivazione        | Zincado                    |
|                            | Passivation claire trivalente |                            | chiara trivalente            | Pasivado claro trivalente  |

\*: SAE 10B21 EN 10263-4 23MnB4 \*\*: SAE 1008 EN 10263-2 C8C

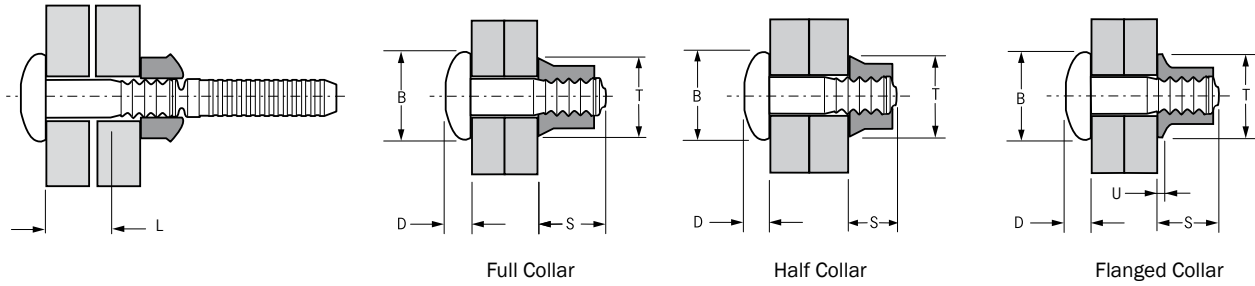


| ø              | w. Full Collar <sup>2)</sup> |       | L           | B    | D    | Part No/ref       | Part No/ref |             | Part No/ref               |                    |                              |           |                         |
|----------------|------------------------------|-------|-------------|------|------|-------------------|-------------|-------------|---------------------------|--------------------|------------------------------|-----------|-------------------------|
|                | min.                         | max.  |             |      |      |                   | Full Collar |             | Half Collar <sup>2)</sup> |                    | Flanged Collar <sup>3)</sup> |           |                         |
| nom.           |                              |       | nom.        | max. | max. | Pin <sup>1)</sup> | S<br>max.   | T<br>max.   | S<br>max.                 | T<br>max.          | S<br>max.                    | T<br>max. | U <sup>3)</sup><br>nom. |
| 4.8<br>(3/16") | 0.79                         | 2.39  | 1.96        | 10.1 | 3.4  | 02611-70601       | 02662-70600 | 8.7   8.0   | 02682-70600               | 9.4   9.9   0.76   | 02615-70600                  |           |                         |
|                | 2.39                         | 3.96  | 3.56        |      |      | 02611-70602       |             |             |                           |                    |                              |           |                         |
|                | 3.96                         | 5.56  | 5.13        |      |      | 02611-70603       |             |             |                           |                    |                              |           |                         |
|                | 5.56                         | 7.14  | 6.73        |      |      | 02611-70604       |             |             |                           |                    |                              |           |                         |
|                | 7.14                         | 8.74  | 8.31        |      |      | 02611-70605       |             |             |                           |                    |                              |           |                         |
|                | 8.74                         | 10.31 | 9.91        |      |      | 02611-70606       |             |             |                           |                    |                              |           |                         |
|                | 10.31                        | 11.91 | 11.48       |      |      | 02611-70607       |             |             |                           |                    |                              |           |                         |
|                | 11.91                        | 13.49 | 13.08       |      |      | 02611-70608       |             |             |                           |                    |                              |           |                         |
|                | 13.49                        | 15.09 | 14.66       |      |      | 02611-70609       |             |             |                           |                    |                              |           |                         |
|                | 15.09                        | 16.66 | 16.26       |      |      | 02611-70610       |             |             |                           |                    |                              |           |                         |
|                | 16.66                        | 18.24 | 17.83       |      |      | 02611-70611       |             |             |                           |                    |                              |           |                         |
|                | 18.24                        | 19.84 | 19.43       |      |      | 02611-70612       |             |             |                           |                    |                              |           |                         |
|                | 19.84                        | 21.41 | 21.01       |      |      | 02611-70613       |             |             |                           |                    |                              |           |                         |
|                | 21.41                        | 23.01 | 22.61       |      |      | 02611-70614       |             |             |                           |                    |                              |           |                         |
|                | 23.01                        | 24.61 | 24.18       |      |      | 02611-70615       |             |             |                           |                    |                              |           |                         |
|                | 24.61                        | 26.19 | 25.78       |      |      | 02611-70616       |             |             |                           |                    |                              |           |                         |
| 26.19          | 27.79                        | 27.36 | 02611-70617 |      |      |                   |             |             |                           |                    |                              |           |                         |
| 27.79          | 29.36                        | 28.96 | 02611-70618 |      |      |                   |             |             |                           |                    |                              |           |                         |
| 29.36          | 30.96                        | 30.53 | 02611-70619 |      |      |                   |             |             |                           |                    |                              |           |                         |
| 30.96          | 32.54                        | 32.13 | 02611-70620 |      |      |                   |             |             |                           |                    |                              |           |                         |
| 6.4<br>(1/4")  | 2.39                         | 3.96  | 3.66        | 13.4 | 4.1  | 02611-70802       | 02662-70800 | 10.7   10.6 | 02682-70800               | 11.7   13.1   0.94 | 02615-70800                  |           |                         |
|                | 3.96                         | 5.56  | 5.23        |      |      | 02611-70803       |             |             |                           |                    |                              |           |                         |
|                | 5.56                         | 7.14  | 6.83        |      |      | 02611-70804       |             |             |                           |                    |                              |           |                         |
|                | 7.14                         | 8.74  | 8.41        |      |      | 02611-70805       |             |             |                           |                    |                              |           |                         |
|                | 8.74                         | 10.31 | 10.01       |      |      | 02611-70806       |             |             |                           |                    |                              |           |                         |

all dimensions in mm / en millimètre / alle Maße in mm / in millimetri / en milímetros  
 1), 2), 3) see last page / voir page 3 / siehe letzte Seite / vedi pagina 3 / ver Pág. 3



# Avdelok® 2611

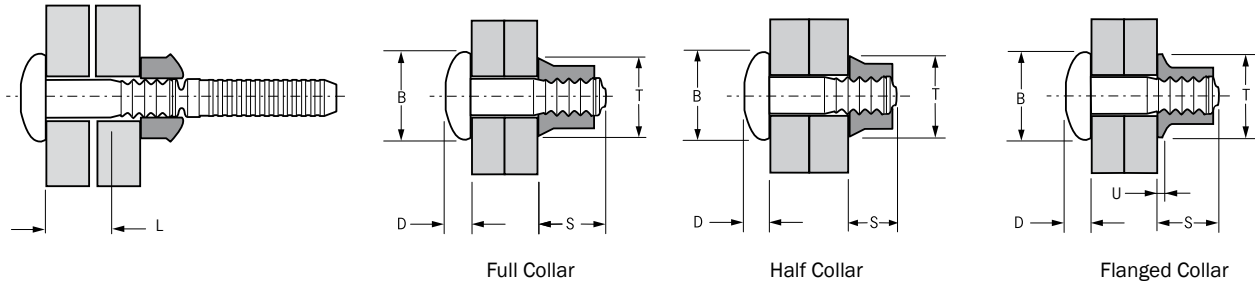


| ø<br>nom.      | w. Full Collar <sup>2)</sup> |       | L<br>nom.   | B<br>max. | D<br>max. | Part No/ref<br>Pin <sup>1)</sup> | Part No/ref<br>Full Collar |             | Part No/ref<br>Half Collar <sup>2)</sup> |                    | Part No/ref<br>Flanged Collar <sup>3)</sup> |           |                         |
|----------------|------------------------------|-------|-------------|-----------|-----------|----------------------------------|----------------------------|-------------|--|--------------------|---|-----------|-------------------------|
|                | min.                         | max.  |             |           |           |                                  | S<br>max.                  | T<br>max.   | S<br>max.                                | T<br>max.          | S<br>max.                                   | T<br>max. | U <sup>3)</sup><br>nom. |
| 6.4<br>(1/4")  | 10.31                        | 11.91 | 11.58       | 13.4      | 4.1       | 02611-70807                      | 02662-70800                | 10.7   10.6 | 02682-70800                              | 11.7   13.1   0.94 |   |           |                         |
|                | 11.91                        | 13.49 | 13.18       |           |           | 02611-70808                      |                            |             |  |                    |   |           |                         |
|                | 13.49                        | 15.09 | 14.76       |           |           | 02611-70809                      |                            |             |  |                    |   |           |                         |
|                | 15.09                        | 16.66 | 16.36       |           |           | 02611-70810                      |                            |             |  |                    |   |           |                         |
|                | 16.66                        | 18.24 | 17.93       |           |           | 02611-70811                      |                            |             |  |                    |   |           |                         |
|                | 18.24                        | 19.84 | 19.53       |           |           | 02611-70812                      |                            |             |  |                    |   |           |                         |
|                | 19.84                        | 21.41 | 21.11       |           |           | 02611-70813                      |                            |             |  |                    |   |           |                         |
|                | 21.41                        | 23.01 | 22.71       |           |           | 02611-70814                      |                            |             |  |                    |   |           |                         |
|                | 23.01                        | 24.61 | 24.28       |           |           | 02611-70815                      |                            |             |  |                    |   |           |                         |
|                | 24.61                        | 26.19 | 25.88       |           |           | 02611-70816                      |                            |             |  |                    |   |           |                         |
|                | 26.19                        | 27.79 | 27.46       |           |           | 02611-70817                      |                            |             |  |                    |   |           |                         |
|                | 27.79                        | 29.36 | 29.06       |           |           | 02611-70818                      |                            |             |  |                    |   |           |                         |
|                | 29.36                        | 30.96 | 30.63       |           |           | 02611-70819                      |                            |             |  |                    |   |           |                         |
|                | 30.96                        | 32.54 | 32.23       |           |           | 02611-70820                      |                            |             |  |                    |   |           |                         |
|                | 32.54                        | 34.14 | 33.81       |           |           | 02611-70821                      |                            |             |  |                    |   |           |                         |
|                | 34.14                        | 35.71 | 35.41       |           |           | 02611-70822                      |                            |             |  |                    |   |           |                         |
|                | 35.71                        | 37.31 | 36.98       |           |           | 02611-70823                      |                            |             |  |                    |   |           |                         |
|                | 37.31                        | 38.89 | 38.58       |           |           | 02611-70824                      |                            |             |  |                    |   |           |                         |
|                | 38.89                        | 40.49 | 40.16       |           |           | 02611-70825                      |                            |             |  |                    |   |           |                         |
|                | 40.49                        | 42.06 | 41.76       |           |           | 02611-70826                      |                            |             |  |                    |   |           |                         |
| 42.06          | 43.66                        | 43.33 | 02611-70827 |           |           |                                  |                            |             |  |                    |   |           |                         |
| 43.66          | 45.24                        | 44.93 | 02611-70828 |           |           |                                  |                            |             |  |                    |   |           |                         |
| 45.24          | 46.84                        | 46.51 | 02611-70829 |           |           |                                  |                            |             |  |                    |   |           |                         |
| 46.84          | 48.41                        | 48.11 | 02611-70830 |           |           |                                  |                            |             |  |                    |   |           |                         |
| 8.0<br>(5/16") | 3.58                         | 5.94  | 5.23        | 16.7      | 5.5       | 02611-71003                      | 02662-71000                | 12.2   13.3 | 02682-71000                              | 13.5   16.3   1.22 |   |           |                         |
|                | 5.94                         | 8.33  | 7.62        |           |           | 02611-71004                      |                            |             |  |                    |   |           |                         |
|                | 8.33                         | 10.72 | 10.01       |           |           | 02611-71006                      |                            |             |  |                    |   |           |                         |
|                | 10.72                        | 13.11 | 12.37       |           |           | 02611-71007                      |                            |             |  |                    |   |           |                         |
|                | 13.11                        | 15.47 | 14.76       |           |           | 02611-71009                      |                            |             |  |                    |   |           |                         |
|                | 15.47                        | 17.85 | 17.14       |           |           | 02611-71010                      |                            |             |  |                    |   |           |                         |
|                | 17.85                        | 20.22 | 19.53       |           |           | 02611-71012                      |                            |             |  |                    |   |           |                         |
|                | 20.22                        | 22.61 | 21.89       |           |           | 02611-71013                      |                            |             |  |                    |   |           |                         |
|                | 22.61                        | 24.99 | 24.28       |           |           | 02611-71015                      |                            |             |  |                    |   |           |                         |
|                | 24.99                        | 27.38 | 26.67       |           |           | 02611-71016                      |                            |             |  |                    |   |           |                         |
|                | 27.38                        | 29.77 | 29.06       |           |           | 02611-71018                      |                            |             |  |                    |   |           |                         |
|                | 29.77                        | 32.13 | 31.42       |           |           | 02611-71019                      |                            |             |  |                    |   |           |                         |
|                | 32.13                        | 34.52 | 33.81       |           |           | 02611-71021                      |                            |             |  |                    |   |           |                         |
|                | 34.52                        | 36.91 | 36.19       |           |           | 02611-71022                      |                            |             |  |                    |   |           |                         |
|                | 36.91                        | 39.29 | 38.58       |           |           | 02611-71024                      |                            |             |  |                    |   |           |                         |

all dimensions in mm / en millimètre / alle Maße in mm / in millimetri / en milímetros  
 1), 2), 3) see last page / voir page 3 / siehe letzte Seite / vedi pagina 3 / ver Pág. 3



# Avdelok® 2611



| Ø<br>nom.     | w. Full Collar <sup>2)</sup> |       | L<br>nom.   | B<br>max. | D<br>max. | Part No/ref<br>Pin <sup>1)</sup> | Part No/ref<br>Full Collar |             | Part No/ref<br>Half Collar <sup>2)</sup> |             | Part No/ref<br>Flanged Collar <sup>3)</sup> |           |                         |
|---------------|------------------------------|-------|-------------|-----------|-----------|----------------------------------|----------------------------|-------------|--|-------------|---|-----------|-------------------------|
|               | min.                         | max.  |             |           |           |                                  | S<br>max.                  | T<br>max.   | S<br>max.                                | T<br>max.   | S<br>max.                                   | T<br>max. | U <sup>3)</sup><br>nom. |
| 9.6<br>(3/8") | 1.57                         | 4.75  | 3.63        | 20.1      | 6.7       | 02611-71202                      | 02662-71200                | 14.8   15.5 | 02682-71200                              | 11.5   15.5 | 02615-71200<br>16.3   20.0   1.42           |           |                         |
|               | 4.75                         | 7.92  | 6.81        |           |           | 02611-71204                      |                            |             |  |             |   |           |                         |
|               | 7.92                         | 11.10 | 9.98        |           |           | 02611-71206                      |                            |             |  |             |   |           |                         |
|               | 11.10                        | 14.27 | 13.16       |           |           | 02611-71208                      |                            |             |  |             |   |           |                         |
|               | 14.27                        | 17.45 | 16.33       |           |           | 02611-71210                      |                            |             |  |             |   |           |                         |
|               | 17.45                        | 20.62 | 19.51       |           |           | 02611-71212                      |                            |             |  |             |   |           |                         |
|               | 20.62                        | 23.80 | 22.68       |           |           | 02611-71214                      |                            |             |  |             |   |           |                         |
|               | 23.80                        | 26.97 | 25.86       |           |           | 02611-71216                      |                            |             |  |             |   |           |                         |
|               | 26.97                        | 30.15 | 29.03       |           |           | 02611-71218                      |                            |             |  |             |   |           |                         |
|               | 30.15                        | 33.32 | 32.21       |           |           | 02611-71220                      |                            |             |  |             |   |           |                         |
|               | 33.32                        | 36.50 | 35.38       |           |           | 02611-71222                      |                            |             |  |             |   |           |                         |
|               | 36.50                        | 39.67 | 38.56       |           |           | 02611-71224                      |                            |             |  |             |   |           |                         |
|               | 39.67                        | 42.85 | 41.73       |           |           | 02611-71226                      |                            |             |  |             |   |           |                         |
|               | 42.85                        | 46.02 | 44.91       |           |           | 02611-71228                      |                            |             |  |             |   |           |                         |
|               | 46.02                        | 49.20 | 48.09       |           |           | 02611-71230                      |                            |             |  |             |   |           |                         |
| 49.20         | 52.37                        | 51.26 | 02611-71232 |           |           |                                  |                            |             |  |             |   |           |                         |

all dimensions in mm / en millimètre / alle Maße in mm / in millimetri / en milímetros

- 1) Different grip range pins with different numbers of grooves available. / Tiges avec autres plages de serrage et différent nombre de cannelures sont disponible. / Bolzen mit anderem Klemmbereich und anderer Anzahl von Rillen sind verfügbar. / Sono disponibili bulloni con spessori serrabili differenti con diverso numero di scanalature. / Disponibles pernos con diferente número de anillos según el espesor a remachar.
- 2) Half collars increase the grip range to that of the next longest pin. Maximum grip increases by 1.57 mm (0.062") for 4.8 mm and 6.4 mm fasteners and 3.18 mm (0.125") for 8.0 mm and 9.6 mm fasteners.  
 Avec une bague courte, la plage de serrage maximale est équivalente à celle de l'Avdelok de longueur immédiatement supérieure. La plage de serrage augmente de 1.57 mm pour tiges de 4.8 mm et 6.4 mm, et de 3.18 mm pour tiges de 8.0 mm et 9.6 mm.  
 Die Verwendung von flachen Schließringen erhöht den Klemmbereich auf den des nächstlängeren Bolzens. Der maximale Klemmbereich erhöht sich um 1,6 mm für ø 4,8 mm und ø 6,4 mm Bolzen und 3,2 mm für ø 8,0 mm und ø 9,6 mm Bolzen.  
 Utilizzando i collari ribassati lo spessore serrabile aumenta, ed è uguale a quello massimo del bullone di misura superiore. Il massimo spessore serrabile aumenta di 1.57 mm per i bulloni da 4.8 mm e 6.4 mm e di 3.18 mm per i bulloni da 8.0 mm e 9.6 mm.  
 El empleo de medio collar incrementa el máx. espesor a remachar al de la siguiente toma. El máximo espesor a remachar por uso de medio collar es de 1.57 mm para diámetros de 4,8 y 6,4 mm y de 3,18 mm para diámetros de 8 y 9,6 mm.
- 3) Flanged collars are used in applications where the hole on the collar side of the application is oversize or is slotted for alignment purposes. To determine what length of pin is required, add dimension U to the thickness of material being fastened.  
 Avec une bague à embase, la plage de serrage est diminuée de la valeur de la cote U.  
 Schließringe mit Bund werden in Anwendungen benötigt, wo das Bohrloch auf der Schließringseite übergroß oder länglich ist. Um den richtigen Bolzen zu bestimmen, addieren Sie das Maß U zu der zu verbindenden Materialstärke hinzu.  
 Utilizzando i collari flangiati la dimensione „U“ deve essere aggiunta allo spessore da serrare per determinare il tipo di bullone adatto.  
 Utilizar collar con ala cuando en la aplicación el taladro está sobredimensionado o es ranurado. Para calcular la referencia de perno necesaria añadir la cota U al espesor de la aplicación.

| Ø<br>nom.   | kN <sup>4)</sup> | kN <sup>4)</sup> |
|-------------|------------------|------------------|
| 4.8 (3/16") | 8.63             | 7.34             |
| 6.4 (1/4")  | 14.73            | 13.35            |
| 8.0 (5/16") | 22.38            | 21.81            |
| 9.6 (3/8")  | 32.08            | 28.93            |

- 4) These figures represent minimum fastener shear and tensile strength values with the use of a full collar. When using half collars tension is reduced to approximately 45 %.  
 Cette valeurs représentent minimum résistances au cisaillement et à la traction avec l'usage d'une bague standard. Avec l'usage des bagues courtes la résistance à la traction se diminue à env. 45 %.  
 Diese Werte repräsentieren Minimum Scher- und Zugfestigkeiten der Verbindung unter Verwendung von Standard-Schließringen. Bei Verwendung von flachen Schließringen reduziert sich die Zugfestigkeit auf ca. 45 %.  
 I dati si riferiscono a bulloni installati con collari Standard, utilizzando collari ribassati i valori di trazione diminuiscono del 45 % circa, i valori di taglio rimangono invariati. I dati indicati in tabella sono minimi.  
 La figura representa los valores mínimos de resistencia a la cortadura y tracción cuando se utiliza collar estándar. Cuando se utiliza medio collar se reducen aproximadamente en un 45 %.

Steel Avdelok® pins typically offer comparable values to property class 5.8 threaded products. / Les tiges Avdelok® acier offrent des valeurs comparables à celles d'un boulon de classe 5.8. / Avdelok® Bolzen aus Stahl bieten Werte, die normalerweise mit denen eines Gewindeproduktes der Festigkeitsklasse 5.8 gleichzusetzen sind. / I bulloni Avdelok® in acciaio normalmente offrono valori comparabili alla classe di resistenza 5.8 dei prodotti filettati. / Los pernos Avdelok® de acero suelen ofrecer resistencias que equivalen a la calidad 5.8 de los tornillos.

